

Features

- Broadband Frequency (0.600 - 3.800 GHz)
- Low Insertion Loss (0.3 dB typ)
- High Port-to-Port Isolation (30 dB typ)
- Excellent VSWR (1.10 : 1 typ)
- RoHS Compliant Splitter Construction
- #REF!

Applications

- Amplifier sharing
- Receiver combining
- Antenna splitting
- PCS, GSM, LTE, CELLULAR
- UMTS, LBAND, GPS, TETRA, RFID
- ISM, WiFi, 5G, IoT, V2X, URLLC

Ratings

- Operating Temp: -65C to +85C
- Power Input: 40W as splitter
- Internal Dissipation: 2 Watts
- Current Input: 4A DC current
- IP51 Protection Rating

Electrical Specifications

Description	Min	Typ	Max	Units
Frequency Range	600		3800	MHz
Impedance		50		Ohms
Insertion Loss (3.01 Split)			0.6	dB
22 KHz Tone:			0.6	
10 MHz BUC:			0.6	
Amplitude Balance	0.0	0.1	0.2	dB
Phase Balance	0.0	1	2	Degrees
Isolation	22	30	50	dB
Input VSWR		1.15	1.20:1	
Output VSWR		1.10	1.15:1	
DC Voltage		500	500	VDC
DC Current			4	A

RF Specifications

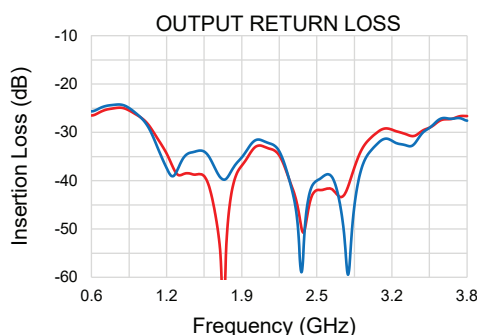
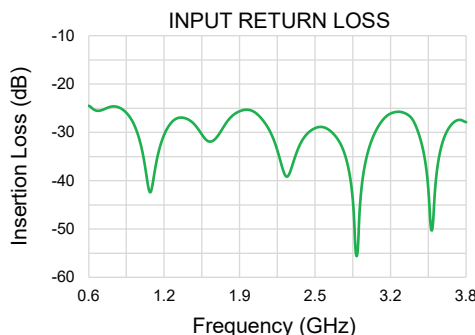
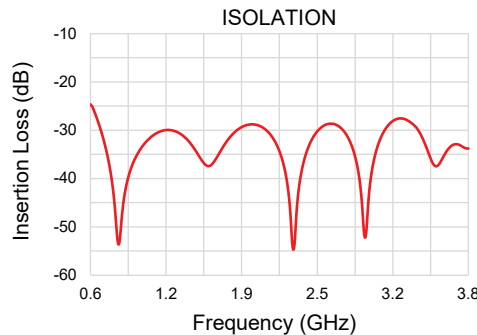
RF Input Power Rating (Power Divider Splitter)

Into Matched Load VSWR's	In-Phase	180 Out-Of-Phase
1.2:1	40 Watts	40 Watts
2.0:1	40 Watts	20 Watts
Infinite	40 Watts	2 Watts

RF Input Power Rating (Power Combiner)

Non-Coherent Signals	2 X 2 Watts
Coherent Signals (In-Phase)	2 X 20 Watts
Coherent Signals (180 Out-Of-Phase)	2 X 1 Watt
Other Conditions - Consult Factory	

Test Data

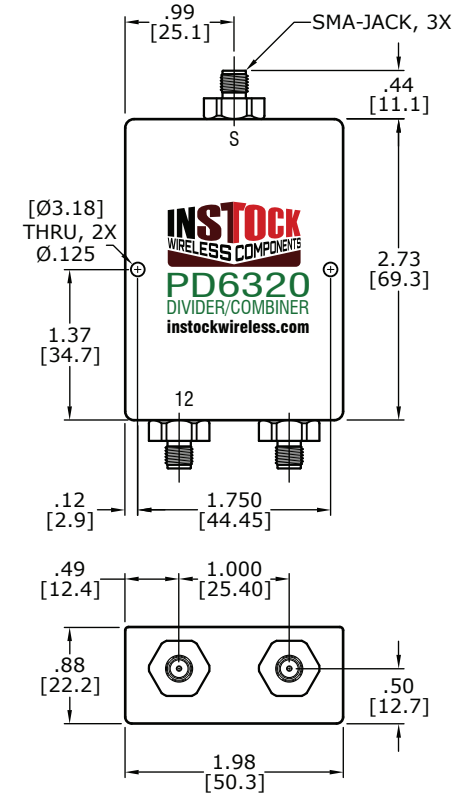


Mechanical Specifications

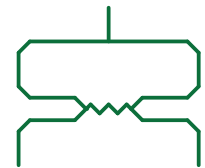
Item	Description
Connectors	SMA Female (Jack), 50Ω
Connector Body	Brass, Tri-Alloy Plate
Connector Pin	Beryllium Copper, Gold Plate
Insulator	PTFE, Virgin Electrical Grade
Housing	Aluminum, Clear Chem Convesion Film, ROHS Compliant
Solder	Lead Free, ROHS Compliant
Protection Rating	IP51
Operating Temp	-65C To +85C
Weight	191 Grams
MTBF	Consult Factory



Outline Drawing



Schematic



DC, 22 KHz, 10 MHz & 600-3800 MHz Pass All Ports

Available in Other Arrangements

Connector	Model
N-Type	PD6220
QMA	TBA
TNC	TBA
BNC	TBA